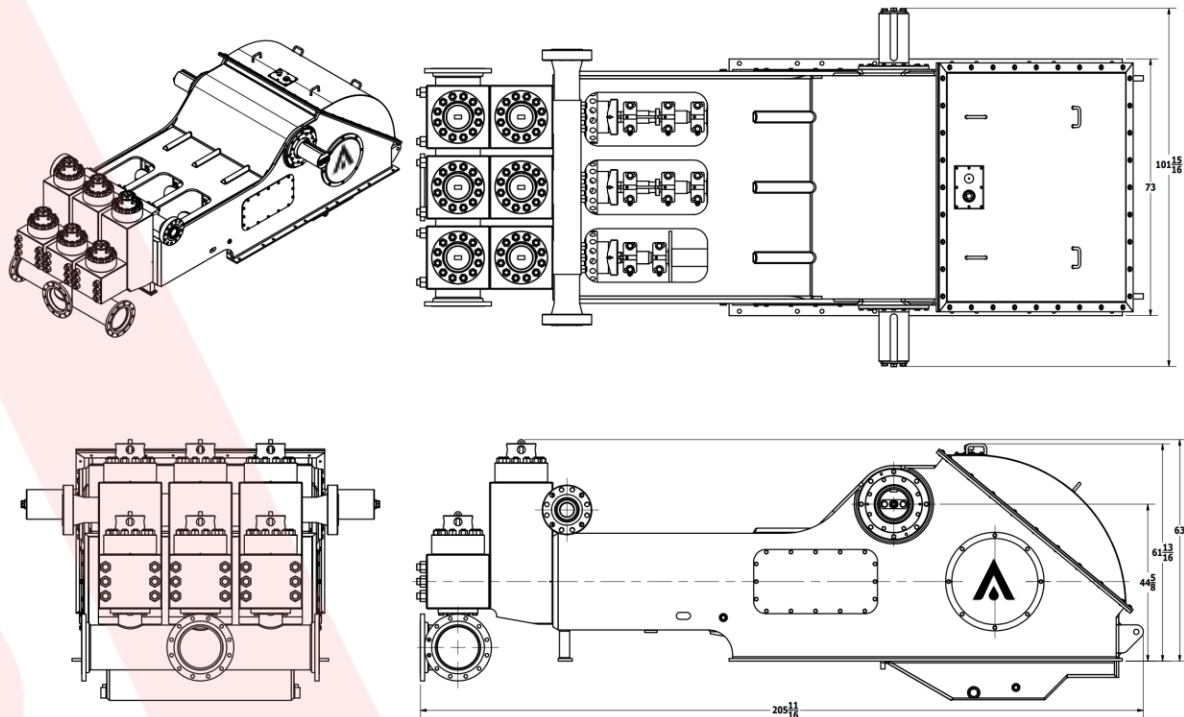




American Mud Pumps® provides **smooth triplex performance** and high efficiency pumps, for continuous duty rated drilling and workover operations.

The pump's light weight and flexible design make it **easily adaptable** to a variety of rig configurations and drilling requirements and conditions changes throughout.



Features

- Minimum weight/maximum performance with continuous duty life expectancy.
- High performance high strength steel fabricated power end with steel herringbone gears.
- Anti-friction roller bearings throughout.
- High strength structural steel frames.
- Forged steel eccentric crankshaft.
- Double (redundant) failsafe internal lube system.
- Metal to metal liner lock.
- High capacity liner wash system.

Technical specification data

Input horsepower rating	1600
Pump speed	110
Stroke length	14.00"
Maximum piston size	7.50"
Fluid end working pressure rating	7,500 Psi
Discharge connection size	5.00" Flange
Suction connection size	12.00" Flange
Crankcase oil capacity	165 Gallons
Liner wash capacity	80 Gallons
Internal gear ratio	4.83: 1
Weight	56,500 Lbs
Overall dimensions (L x W x H)	205.68" X 101.93" X 63"

AMP-1614 High Performance 14.00" Stroke Triplex		Strokes Per Min.	60	70	80	90	100	110
		Input HP**	873	1018	1164	1309	1455	1600
Piston Size	Discharge Pressure Rating	Output Gal/ Rev	Output – Gallons Per Minute*					
7.50"	2,949	8,033	482	562	643	723	803	884
7.00"	3,385	6,997	420	490	560	630	700	770
6.50"	3,926	6,033	362	422	483	543	603	664
6.00"	4,607	5,141	308	360	411	463	514	565
5.50"	5,483	4,320	259	302	346	389	432	475
5.00"	6,634	3,570	214	250	286	321	357	393
4.50"	7,500*	2,892	174	202	231	260	289	318

* Based on 95% mechanical efficiency, **Based on 100% volumetric efficiency.



American Mud Pumps Inc

3050 Post Oak Blvd. Suite 510,
 Houston TX. 77056 United States of America

Main: +1 (713) 979-0533

Fax: +1 (713) 979-0534

customerservice@americanmudpumps.com www.americanmudpumps.com



Connect with our expert team today!

