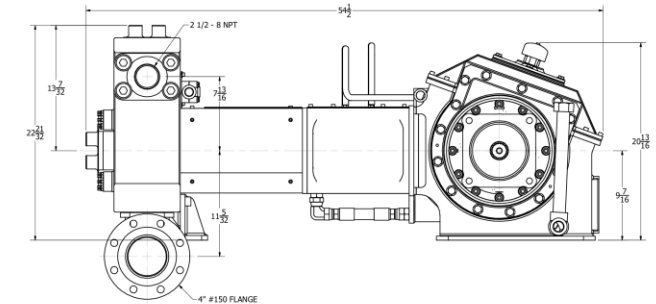
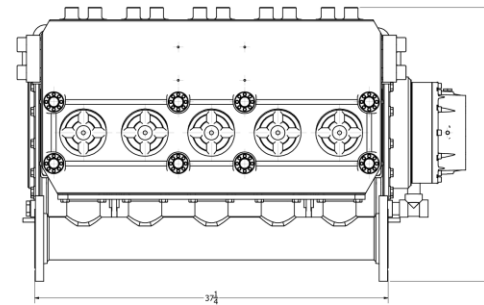
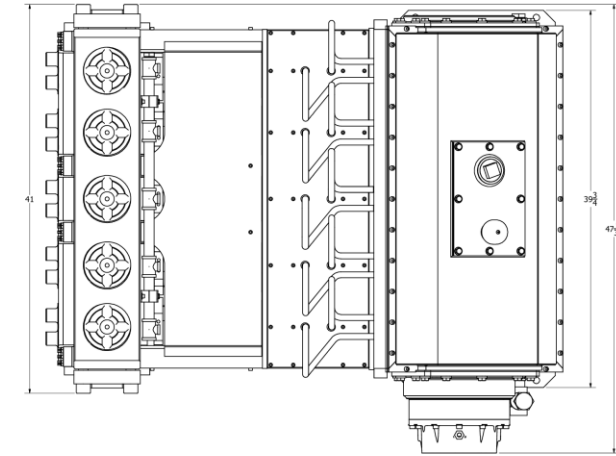
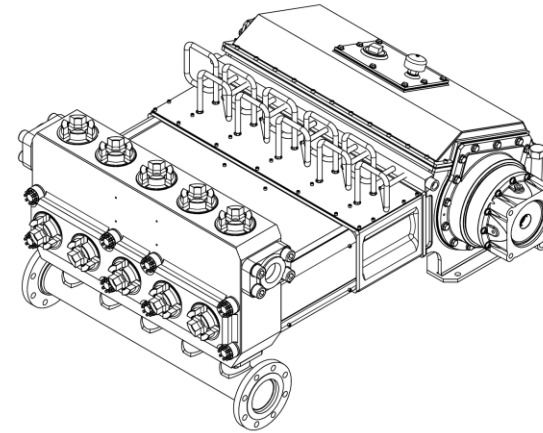


## Drilling and Workover QUINTUPLEX AMPQ-300 (19~441 GPM)

Technical specification data	
Input horsepower rating	300
Pump speed	360
Stroke length	4.50"
Maximum piston size	4.00"
Fluid end working pressure rating	5,000 Psi
Piston rod load	13,198 Lbs
Mean power end life expectancy	90,000 Psi
Pump weight complete (Less skid)	2,980 Lbs
Overall dimensions (L x W x H)	54.5" X 47.28" X 28.87"



### Features

- Minimum weight/maximum performance with continuous duty life expectancy.
- High performance steel fabricated power end.
- High pressure plunger arrangements available upon request.
- Anti-friction roller bearings throughout.
- Forged steel eccentric crankshaft.
- Metal to metal liner lock.

AMPQ-300 High Performance 4.50" Stroke Quintuplex		Strokes Per Min.	60	150	200	240	280	320	360
		Input HP*	67	125	167	200	233	267	300
Piston Size	Discharge Pressure Rating	Output Gal/Rev	Output – Gallons Per Minute**						
4.00"	1,109	1,224	98	184	245	294	343	392	441
3.75"	1,261	1,076	86	161	215	258	301	344	387
3.50"	1,448	0,937	75	141	187	225	262	300	337
3.00"	1,971	0,689	55	103	138	165	193	220	248
2.50"	2,838	0,478	38	72	96	115	134	153	172
2.00" ****	4,434	0,306	24	46	61	73	86	98	110
1.75" ***	5,000*	0,234	19	35	47	56	66	75	84

\* Based on 95% mechanical efficiency, \*\*Based on 100% volumetric efficiency, \*\*\* Requires a high pressure fluid end.