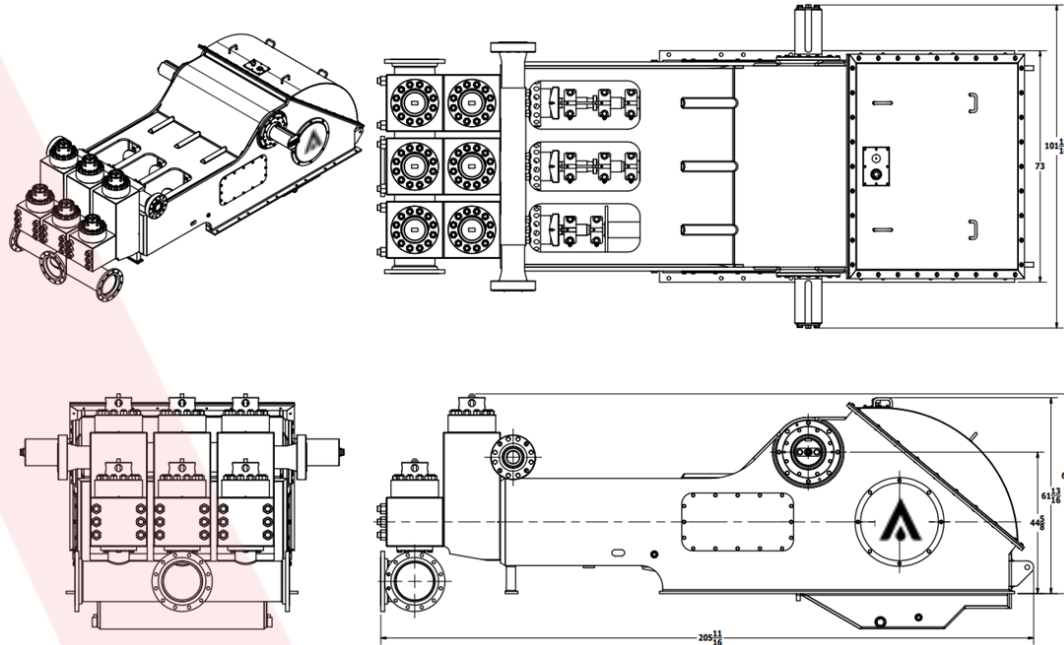




American Mud Pumps® provides **smooth triplex performance** and high efficiency pumps, for continuous duty rated drilling and workover operations.

The pump's light weight and flexible design make it **easily adaptable** to a variety of rig configurations and drilling requirements and conditions changes throughout.



Features

- Minimum weight/maximum performance with continuous duty life expectancy.
- High performance high strength steel fabricated power end with steel herringbone gears.
- Anti-friction roller bearings throughout.
- High strength structural steel frames.
- Forged steel eccentric crankshaft.
- Double (redundant) failsafe internal lube system.
- Metal to metal liner lock.
- High capacity liner wash system.

Technical specification data

Input horsepower rating	1600
Pump speed	120
Stroke length	12.00"
Maximum piston size	7.50"
Fluid end working pressure rating	7,500 Psi
Discharge connection size	5.00" Flange
Suction connection size	12.00" Flange
Crankcase oil capacity	165 Gallons
Liner wash capacity	80 Gallons
Internal gear ratio	4.83: 1
Pump weight complete (Less skid)	56,500 Lbs
Overall dimensions (L x W x H)	205.68" X 101.93" X 63"

AMP-1612 High Performance 12.00" Stroke Triplex		Strokes Per Min.	60	80	90	100	110	120
		Input HP*	800	1067	1200	1333	1467	1600
Piston Size	Discharge Pressure Rating	Output Gal/ Rev	Output – Gallons Per Minute**					
7.50"	3,153	6,885	413	551	620	689	757	826
7.00"	3,620	5,998	360	480	540	600	660	720
6.50"	4,198	5,171	310	414	465	517	569	621
6.00"	4,927	4,406	264	353	297	441	485	529
5.50"	5,684	3,703	222	296	333	370	407	444
5.00"	7,095	3,060	184	245	275	306	337	367
4.50"	7,500*	2,479	149	198	223	248	273	297

* Based on 95% mechanical efficiency, **Based on 100% volumetric efficiency.



American Mud Pumps Inc

3050 Post Oak Blvd. Suite 510,
 Houston TX. 77056 United States of America

Main: +1 (713) 979-0533

Fax: +1 (713) 979-0534

customerservice@americanmudpumps.com www.americanmudpumps.com



Connect with our expert team today!

