



Our Next Generation

## QUINTUPLEX MUD PUMPS

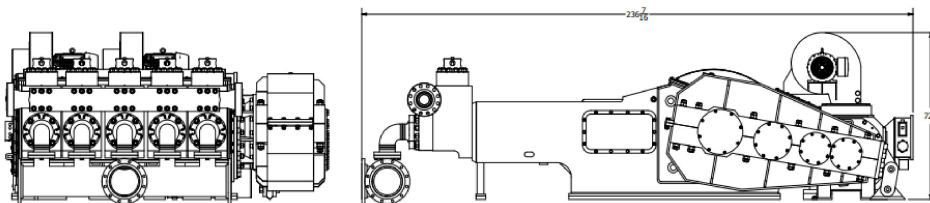
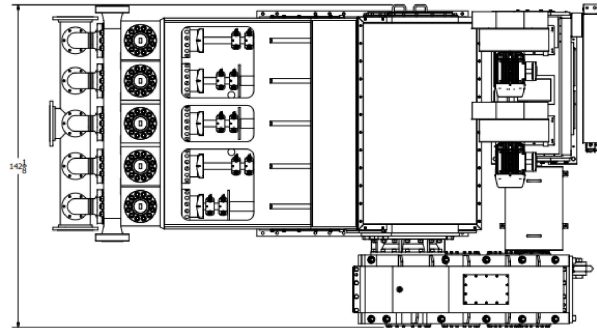
Outstanding performance in the  
most challenging conditions



# AMP-3000Q (12" Stroke) High Performance Quintuplex Mud Pump

American Mud Pumps® provides smooth **quintuplex** performance and high efficiency pumps, for general duty rated drilling and workover operations.

The engineered design reduces the pumps mud noise by 70% without the use of dampeners compared to a conventional triplex drilling pump. Available both twin drive and single drive to suit all drilling operations, both on land and offshore.



## TECHNICAL SPECIFICATION DATA



### Features

- Minimum weight/ maximum performance with continuous duty life expectancy
- Expectancy 33% increase in mwd/lwd frequency bandwidth
- 66% increase in the mwd/lwd data transfer rate
- Four main bearing design eliminates crankshaft deflection
- High-performance structural steel fabricated power end
- Anti-friction roller bearings throughout High strength structural steel frames
- Forged steel eccentric crankshaft
- Double (redundant) failsafe internal lube system
- Metal to metal liner lock

### Technical specification data

Input horsepower rating	3,000
Pump speed	140
Stroke length	12"
Maximum piston size	7-1/2"
Fluid end working pressure rating	7,500 Psi
Piston rod end	SA-4
Discharge connection size	5" Flange
Suction connection size	12" Flange
Crankcase oil capacity	180 Gallons
Liner wash capacity	100 Gallons
Dry weight (Bare shaft less drive line w/Sw FE)	61,500 Lbs
Continuous duty piston rod load	127,265 Lbs
Max intermittent piston rod load	161,937 Lbs
External gear ratio	8.18 : 1

AMP-3000Q High Performance 12" Stroke Quintuplex		Strokes per min.	140	120	110	100	80	60
		Input HP**	3000	2786	2357	2143	1714	1286
Piston Size	Discharge Pressure Rating	Output Gal/Rev	Output-Gallons Per Minute*					
7-1/2"	3,073	11,475	1607	1607	1262	1148	918	689
7"	3,527	9,996	1399	1200	1100	1000	800	600
6-1/2"	4,091	8,619	1207	1034	948	862	690	517
6"	4,801	7,344	1028	881	808	734	588	441
5-1/2"	5,714	6,171	864	741	679	617	494	370
5"	6,914	5,100	714	621	561	510	408	306
4-1/2"	7,500*	4,131	578	496	454	413	330	248

\* Based on 100% volumetric efficiency

\*\* Based on 96% mechanical efficiency.

Connect with our expert team today!

[CONTACT US >](#)

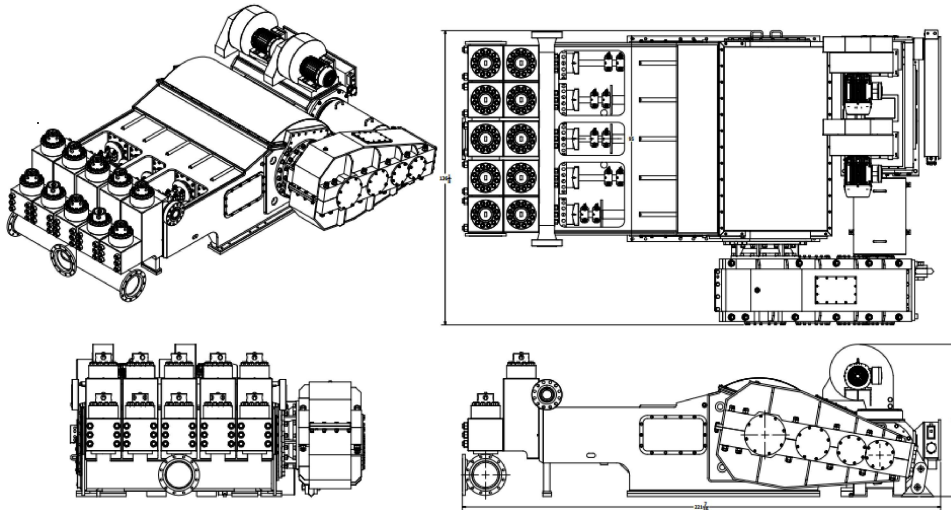




# AMP-2400Q (12" Stroke) High Performance Quintuplex Mud Pump

American Mud Pumps® provides smooth **quintuplex** performance and high efficiency pumps, for general duty rated drilling and workover operations.

The engineered design reduces the pumps mud noise by 70% without the use of dampeners compared to a conventional triplex drilling pump. Available both twin drive and single drive to suit all drilling operations, both on land and offshore.



## TECHNICAL SPECIFICATION DATA



### Features

- Minimum weight/ maximum performance with continuous duty life expectancy
- 33% increase in mwd/lwd frequency bandwidth
- 66% increase in the mwd/lwd data transfer rate
- Four main bearing design eliminates crankshaft deflection
- High-performance steel fabricated power end with steel herringbone gears
- Anti-friction roller bearings throughout
- High-strength structural steel frames
- Forged steel eccentric crankshaft
- Double (redundant) failsafe internal tube system
- Metal to metal liner lock

Technical specification data	
Input horsepower rating	2,400
Pump speed	140
Stroke length	12"
Maximum piston size	7-1/2"
Fluid end working pressure rating	7,500 Psi
Piston rod end	SA-4
Discharge connection size	5" Flange
Suction connection size	12" Flange
Crankcase oil capacity	180 Gallons
Liner wash capacity	100 Gallons
Dry weight (Bare shaft with Sw style fe)	56,500 Lbs
Piston rod load	101,812 Lbs

AMP-2400Q High Performance 12" Stroke Quintuplex		Strokes per min.	140	120	110	100	80	60
		Input HP**	2400	2057	1886	1714	1371	1029
Piston Size	Discharge Pressure Rating	Output Gal/Rev	Output-Gallons Per Minute*					
7-1/2"	2,433	11,475	1607	1377	1262	1148	918	689
7"	2,792	9,996	1399	1200	1100	1000	800	600
6-1/2"	3,239	8,619	1207	1034	948	862	690	517
6"	3,801	7,344	1028	881	808	734	588	441
5-1/2"	4,523	6,171	864	741	679	617	494	370
5"	5,473	5,100	714	621	561	510	408	306
4-1/2"	6,757	4,131	578	496	454	413	330	248
4-1/4"	7,500*	3,685	516	442	405	368	285	221

\* BASED ON 100% VOLUMETRIC EFFICIENCY

\*\* BASED ON 95% MECHANICAL EFFICIENCY.

Connect with our expert team today!

[CONTACT US >](#)





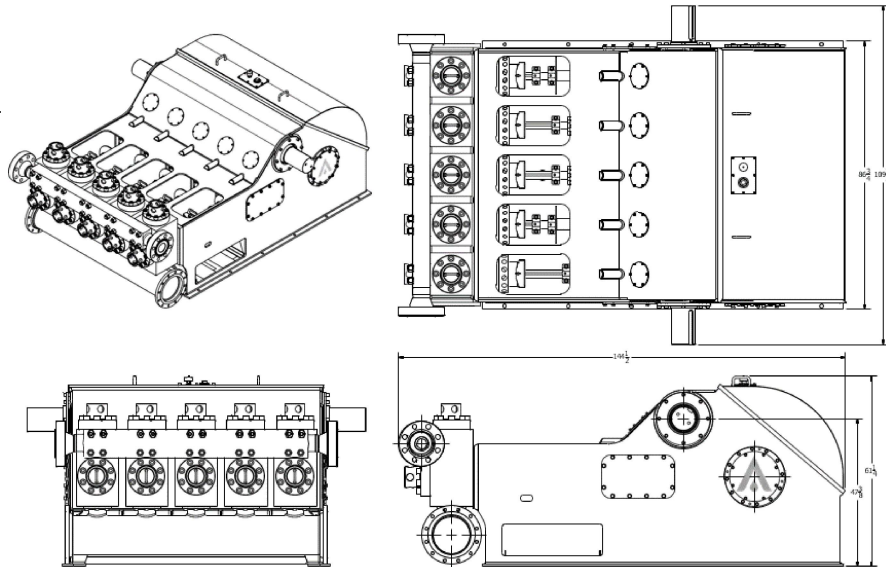
# AMP-1600Q (11" Stroke) High Performance Quintuplex Mud Pump

## TECHNICAL SPECIFICATION DATA



American Mud Pumps® provides smooth **quintuplex** performance and high efficiency pumps, for general duty rated drilling and workover operations.

The engineered design reduces the pumps mud noise by 70% without the use of dampeners compared to a conventional triplex drilling pump. Available both twin drive and single drive to suit all drilling operations, both on land and offshore.



### Features

- Minimum weight/ maximum performance with continuous duty life expectancy
- 33% increase in MWD/LWD frequency bandwidth
- 66% increase in the MWD/LWD data transfer rate
- Four main bearing design eliminates crankshaft deflection
- Reduced piston rod load results in greater rig safety
- High-performance structural steel fabricated power end
- Fully reversible steel herringbone gears
- anti-friction roller bearings throughout
- High-strength structural steel frames
- Forged steel eccentric crankshaft

### Technical specification data

Input horsepower rating	1600
Pump speed	160
Stroke length	11"
Maximum piston size	6-3/4"
Fluid end working pressure rating	5,000 Psi
Piston rod end	SA-4
Discharge connection size	5" Flange
Suction connection size	12" Flange
Crankcase oil capacity	235 Gallons
Liner wash capacity	100 Gallons
Dry weight	36,000 Lbs
Piston rod load	69,108 Lbs
Internal gear ratio	3.933 : 1

AMP-1600Q High Performance 11" Stroke Quintuplex		Strokes per min.	160	150	130	120	100	80	60
		Input HP**	1600	1500	1300	1200	1000	800	600
Piston Size	Discharge Pressure Rating	Output Gal/Rev	Output-Gallons Per Minute*						
6-1/4"	1,911	8,520	1363	1278	1108	1022	852	682	511
6-1/2"	2,061	7,901	1264	1185	1027	948	790	632	474
6"	2,419	6,732	1077	1010	875	808	673	539	404
5-1/2"	2,879	5,657	905	849	735	679	566	453	339
5"	3,483	4,675	748	701	608	561	468	374	281
4-1/2"	4,300	3,787	606	568	492	454	379	303	227
4-1/4"	4,821	3,378	540	507	439	405	338	270	203
4"	5,000*	2,992	479	449	389	359	299	239	180

\* Based on 100% volumetric efficiency  
\*\* Based on 95% mechanical efficiency.

Connect with our expert team today!

[CONTACT US >](#)





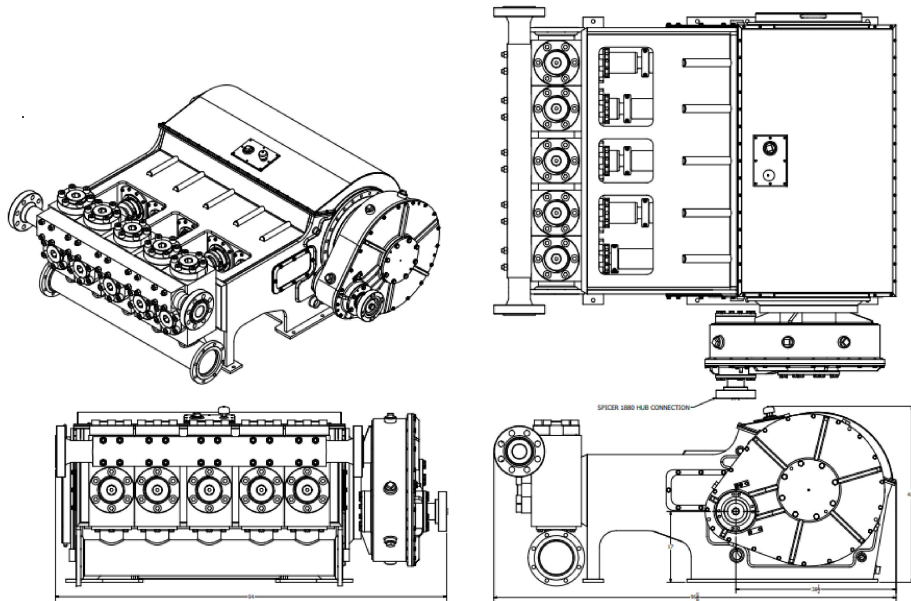
# AMP-1000QL (8" Stroke) High Performance Quintuplex Mud Pump

## TECHNICAL SPECIFICATION DATA



American Mud Pumps® provides smooth **quintuplex** performance and high efficiency pumps, for general duty rated drilling and workover operations.

The engineered design reduces the pumps mud noise by 70% without the use of dampeners compared to a conventional triplex drilling pump. Available both twin drive and single drive to suit all drilling operations, both on land and offshore.



### Features

- Minimum weight/ maximum performance with continuous duty life expectancy
- 33% increase in mwd/lwd frequency bandwidth
- 66% increase in the mwd/lwd data transfer rate
- Four main bearing design eliminates crankshaft deflection
- High performance structural steel fabricated power end Anti-friction roller bearings throughout
- Forged steel eccentric crankshaft
- Double (redundant) failsafe internal lube system
- Metal to metal liner lock
- Removable/replaceable stuffing boxes

Technical specification data	
Input horsepower rating	1,000
Pump speed	220
Stroke length	8"
Maximum plunger size	5"
Fluid end working pressure rating	5,000 Psi
Discharge connection size	4" Flange
Suction connection size	8" Flange
Crankcase oil capacity	110 Gallons
Valve size	#NF-5
Dry weight	18,950 Lbs
Piston rod load	40,493 Lbs
External gear ratio (other ratios available)	4.611 : 1

AMP-1000QL High Performance 8" Stroke Quintuplex		Strokes per min.	220	200	170	140	100	80
		Input HP**	1000	909	773	636	455	364
Plunger Size	Discharge Pressure Rating	Output Gal/Rev	Output-Gallons Per Minute*					
5"	2,177	3,400	748	680	578	476	340	272
4-1/2"	2,687	2,754	606	551	468	386	275	220
4"	3,401	2,176	479	435	370	305	218	174
3-1/2"	4,443	1,666	367	333	283	233	167	133
3"	5,000*	1,224	269	245	208	171	122	98

\* Based on 100% volumetric efficiency

\*\* Based on 95% mechanical efficiency

Connect with our expert team today!

[CONTACT US >](#)





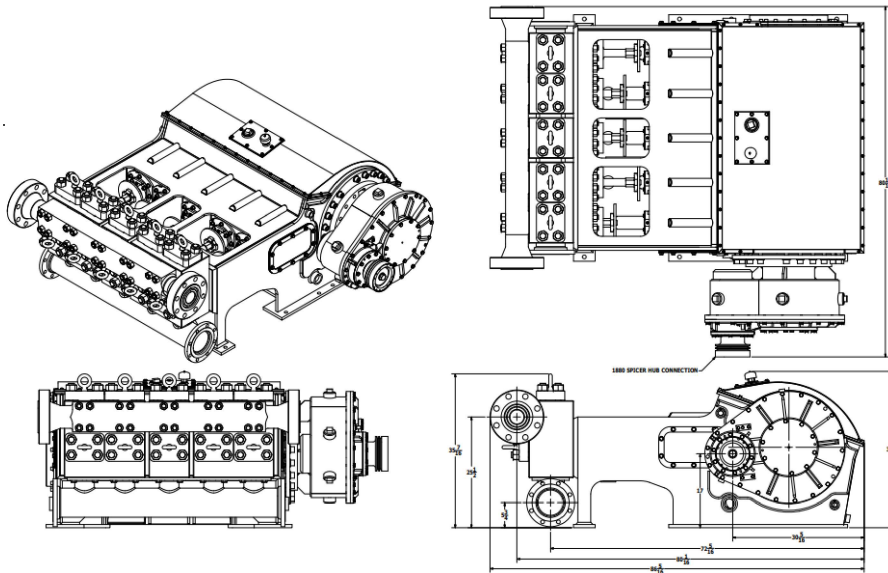
# AMP-800QL (6" Stroke) High Performance Quintuplex Mud Pump

## TECHNICAL SPECIFICATION DATA



American Mud Pumps® provides smooth **quintuplex** performance and high efficiency pumps, for general duty rated drilling and workover operations.

The engineered design reduces the pumps mud noise by 70% without the use of dampeners compared to a conventional triplex drilling pump. Available both twin drive and single drive to suit all drilling operations, both on land and offshore.



### Features

- Minimum weight/ maximum performance with continuous duty life expectancy
- 33% increase in mwd/lwd frequency bandwidth
- 66% increase in the mwd/lwd data transfer rate
- Four main bearing design eliminates crankshaft deflection
- High-performance structural steel fabricated power end Anti-friction roller bearings throughout
- Forged steel eccentric crankshaft
- Double (redundant) failsafe internal lube system
- Metal to metal liner lock

### Technical specification data

Input horsepower rating	800
Pump speed	280
Stroke length	6"
Maximum piston size	5-1/2"
Fluid end working pressure rating	7,500 Psi
Discharge connection size	4" Flange
Suction connection size	6" / 8" Flange
Crankcase oil capacity	90 Gallons
Liner wash capacity	60 Gallons
Dry weight	11,200 Lbs
Maximum continuous duty piston rod load	34,000 Lbs
External gear ratio (other ratios available)	4,611

AMP-800QL High Performance 6" Stroke Quintuplex		Strokes per min.	280	260	240	200	160	140	100
		Input HP**	800	743	686	571	457	400	286
Plunger/Piston Size	Discharge Pressure Rating	Output Gal/Rev	Output-Gallons Per Minute*						
6" ***	1,267	3,672	1028	955	881	734	588	514	367
5-1/2" ***	1,508	3,086	864	802	741	617	494	432	309
5"	1,824	2,550	714	663	612	510	408	357	255
4-1/2"	2,252	2,066	578	537	496	413	330	289	207
4"	2,851	1,632	457	424	392	326	261	228	163
3-1/2"	3,723	1,250	350	325	300	250	200	175	125
3"	5,068	0,918	257	239	220	184	147	129	92
2-1/2"	7,298	0,638	179	166	153	128	102	89	64

\* Based on 100% volumetric efficiency  
 \*\* Based on 95% mechanical efficiency  
 \*\*\* Piston only

Connect with our expert team today!

[CONTACT US >](#)

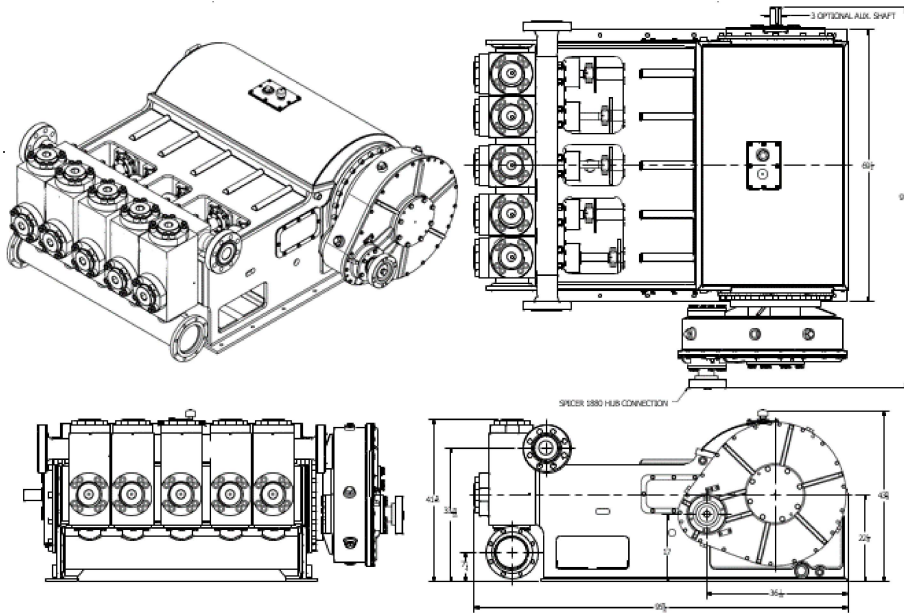




# AMP-800Q (7" Stroke) High Performance Quintuplex Mud Pump

American Mud Pumps® provides smooth **quintuplex** performance and high efficiency pumps, for general duty rated drilling and workover operations.

The engineered design reduces the pumps mud noise by 70% without the use of dampeners compared to a conventional triplex drilling pump. Available both twin drive and single drive to suit all drilling operations, both on land and offshore.



## TECHNICAL SPECIFICATION DATA



### Features

- Minimum weight/maximum performance with continuous duty life expectancy
- 33% increase in mwd/lwd frequency bandwidth
- 66% increase in the mwd/lwd data transfer rate
- Four main bearing design eliminates crankshaft deflection
- High performance structural steel fabricated power end
- Anti-friction roller bearings throughout
- High strength structural steel frames
- Forged steel eccentric crankshaft
- Double (redundant) failsafe internal lube system
- Metal to metal liner lock
- High-capacity liner wash system

### Technical specification data

Input horsepower rating	800
Pump speed	240
Stroke length	7"
Maximum piston size	6"
Fluid end working pressure	5,000 Psi
Discharge connection size	4" Flange
Suction connection size	8" Flange
Crankcase oil capacity	110 Gallons
Liner wash capacity	50 Gallons
Valve size	API 5
Piston rod end	SA-4/SA-2
Dry weight	17,750 Lbs
Piston rod load	33,937 Lbs
External gear ratio (other ratios available)	4.611 : 1

AMP-800Q High Performance 7" Stroke Quintuplex		Strokes per min.	240	220	200	170	140	100	80
		Input HP**	800	733	667	587	467	333	267
Plunger/Piston Size	Discharge Pressure Rating	Output Gal/Rev	Output-Gallons Per Minute*						
			6"	1,267	4,284	1028	942	857	728
5-1/2"	1,508	3,600	864	792	720	612	504	360	288
5"	1,824	2,975	714	655	595	506	417	298	238
4-1/2"	2,252	2,410	578	530	482	410	337	241	193
4"	2,851	1,904	457	419	381	324	267	190	152
3-1/2"	3,723	1,458	350	321	292	248	204	146	117
3"	5,000†	1,071	257	236	214	182	150	107	96

\* Based on 100% volumetric efficiency

\*\* Based on 95% mechanical efficiency

\*\*\* Piston only

Connect with our expert team today!

[CONTACT US >](#)

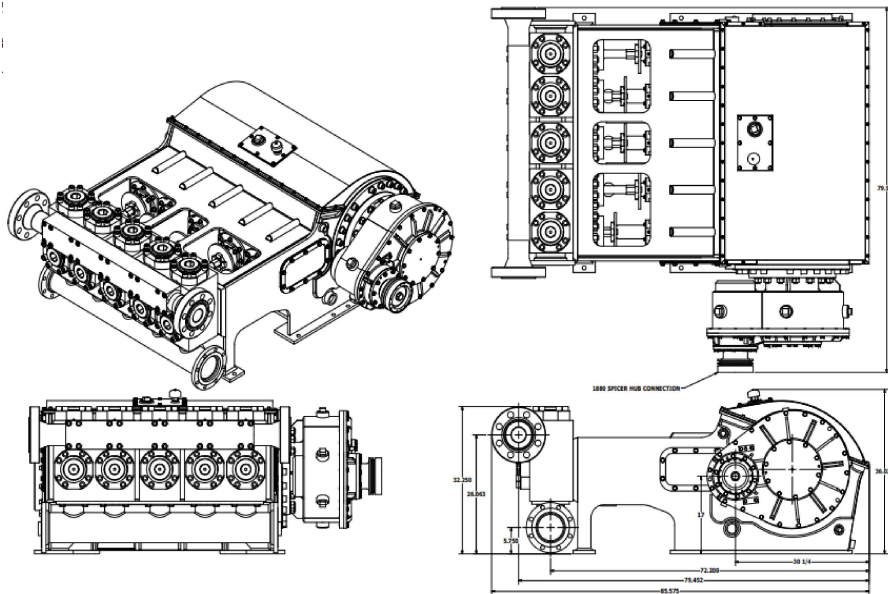




# AMP-600Q (6" Stroke) High Performance Quintuplex Mud Pump

American Mud Pumps® provides smooth **quintuplex** performance and high efficiency pumps, for general duty rated drilling and workover operations.

The engineered design reduces the pumps mud noise by 70% without the use of dampeners compared to a conventional triplex drilling pump. Available both twin drive and single drive to suit all drilling operations, both on land and offshore.



## TECHNICAL SPECIFICATION DATA



### Features

- Minimum weight/ maximum performance with continuous duty life expectancy
- 33% increase in mwd/lwd frequency bandwidth
- 66% increase in the mwd/lwd data transfer rate
- Four main bearing design eliminates crankshaft deflection
- High performance structural steel fabricated power end
- Anti-friction roller bearings throughout
- Forged steel eccentric crankshaft
- Double (redundant) failsafe internal lube system
- Metal to metal liner lock

### Technical specification data

Input horsepower rating	600
Pump speed	280
Stroke length	6"
Maximum piston size	6"
Fluid end working pressure rating	5,000 Psi <sup>1</sup>
Discharge connection size	4" Flange
Suction connection size	6" / 8" Flange
Crankcase oil capacity	75 Gallons
Liner wash capacity	55 Gallons
Dry weight	11,200 Lbs
External gear ratio (other ratios available)	4.61: 1

AMP-600Q High Performance 6" Stroke Quintuplex		Strokes per min.	280	260	240	200	160	140	100
		Input HP <sup>**</sup>	600	557	514	429	343	300	214
Plunger/Piston Size	Discharge Pressure Rating	Output Gal/Rev	Output - Gallons Per Minute <sup>1</sup>						
6" <sup>***</sup>	950	3,672	1028	955	881	734	588	514	367
5-1/2" <sup>***</sup>	1,131	3,086	864	802	741	617	494	432	309
5-1/4" <sup>***</sup>	1,245	2,811	787	731	675	562	450	394	281
5"	1,368	2,550	714	663	612	510	408	357	255
4-1/2"	1,689	2,066	578	537	496	413	330	289	207
4"	2,138	1,632	457	424	392	326	261	228	163
3-1/2"	2,792	1,250	350	325	300	250	200	175	125
3"	3,801	0,918	257	239	220	184	147	129	92
2-1/2"	5,000 <sup>1</sup>	0,638	179	166	153	128	102	89	64

<sup>1</sup> Based on 100% volumetric efficiency  
<sup>\*\*</sup> Based on 95% mechanical efficiency,  
<sup>\*\*\*</sup> Piston only

Connect with our expert team today!

[CONTACT US >](#)







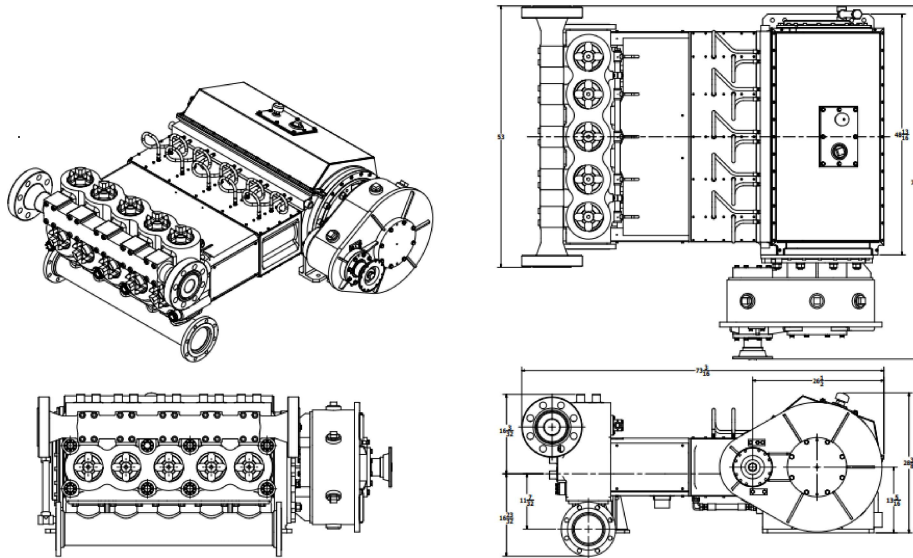
# AMP-445Q (5-1/2" Stroke) High Performance Quintuplex Mud Pump

## TECHNICAL SPECIFICATION DATA



American Mud Pumps® provides smooth **quintuplex** performance and high efficiency pumps, for general duty rated drilling and workover operations.

The engineered design reduces the pumps mud noise by 70% without the use of dampeners compared to a conventional triplex drilling pump. Available both twin drive and single drive to suit all drilling operations, both on land and offshore.



### Features

- Minimum weight/ maximum performance with continuous duty life expectancy
- High performance steel fabricated power end
- High pressure plunger arrangements available upon request
- Anti-friction roller bearings throughout
- Forged steel eccentric crankshaft
- Metal to metal liner lock

### Technical specification data

Maximum input horsepower rating	500
Pump speed	320 Rpm
Stroke length	5-1/2"
Maximum piston / plunger size	5"
Fluid end working pressure rating	5,000 Psi
Piston rod load	20,247 Lbs
Mean power end life expectancy	90,000 Hrs
Gear ration	4.61:1
Dry pump weight	6,965 Lbs

AMP-445Q High Performance 5-1/2" Stroke Quintuplex		Strokes per min.	320	300	280	240	200	150	90
		Input HP*	500	469	438	375	313	234	141
Plunger/Piston Size	Discharge Pressure Rating	Output Gal/Rev	Output - Gallons Per Minute**						
5"	1,088	2,338	748	701	655	561	468	351	210
4-1/2"	1,344	1,893	606	568	530	454	379	284	170
4"	1,701	1,496	479	449	419	359	299	224	135
3-1/2"	2,221	1,145	367	344	321	275	229	172	103
3"***	3,023	0,842	269	252	236	202	168	126	76
2-1/2"***	4,354	0,584	187	175	164	140	117	88	53
2-1/4"***	5,000*	0,473	151	142	133	114	95	71	43

\*Based on 95% mechanical efficiency

\*\*Based on 100% volumetric efficiency

\*\*\* Requires a high pressure fluid end

Connect with our expert team today!

[CONTACT US >](#)



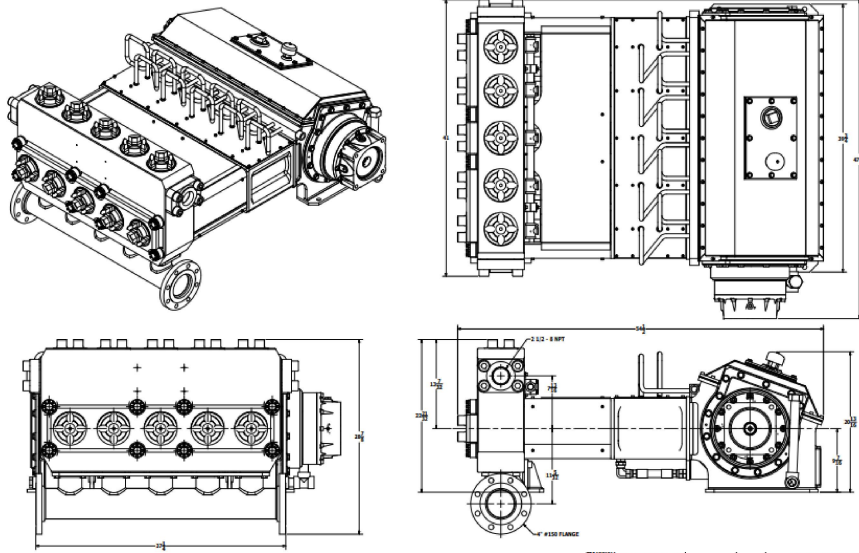


# AMP-300Q (4-1/2" Stroke) High Performance Quintuplex Mud Pump



American Mud Pumps® provides smooth **quintuplex** performance and high efficiency pumps, for general duty rated drilling and workover operations.

The engineered design reduces the pumps mud noise by 70% without the use of dampeners compared to a conventional triplex drilling pump. Available both twin drive and single drive to suit all drilling operations, both on land and offshore.



### Features

- Minimum weight/ maximum performance with continuous duty life expectancy
- High performance steel fabricated power end
- High pressure plunger arrangements available upon request
- Anti-friction roller bearings throughout
- Forged steel eccentric crankshaft
- Metal to metal liner lock

### Technical specification data

Max input horsepower rating	300
Pump speed	360
Stroke length	4-1/2"
Maximum piston/plunger size	4"
Fluid end working pressure rating	5,000 Psi
Max piston rod load	13,198 Lbs.
Mean power end life expectancy	90,000 Hours
Dry pump weight	2,980 Lbs

AMP-300Q High Performance 4-1/2" Stroke Quintuplex		Strokes per min.	360	320	280	240	200	150	80
		Input HP*	300	267	233	200	167	125	67
Plunger/Piston Size	Discharge Pressure Rating	Output Gal/Rev	Output - Gallons Per Minute**						
			4"	1,109	1,224	441	392	343	294
3-3/4"	1,261	1,076	387	344	301	258	215	161	86
3-1/2"	1,448	0,937	337	300	262	225	187	141	75
3"	1,971	0,689	248	220	193	165	138	103	55
2-1/2"	2,838	0,478	172	153	134	115	96	72	38
2"	4,434	0,306	110	98	86	73	61	46	24
1-3/4"	5,000*	0,234	84	75	66	56	47	35	19

\* Based on 95% mechanical efficiency.

\*\* Based on 100% volumetric efficiency

\*\*\* Requires a high pressure fluid end.

Connect with our expert team today!

[CONTACT US >](#)





## — Let's talk!

**Corporate Office:**

3050 Post Oak Blvd. Suite 510 Houston TX. 77056

**Phone:** +1 (713) 979-0534

**Fax :** +1 (713) 979-0533

[customerservice@americanmudpumps.com](mailto:customerservice@americanmudpumps.com)

[www.americanmudpumps.com](http://www.americanmudpumps.com)

