



High Performance

## TRIPLEX MUD PUMPS

Long-lasting and superior  
functionality



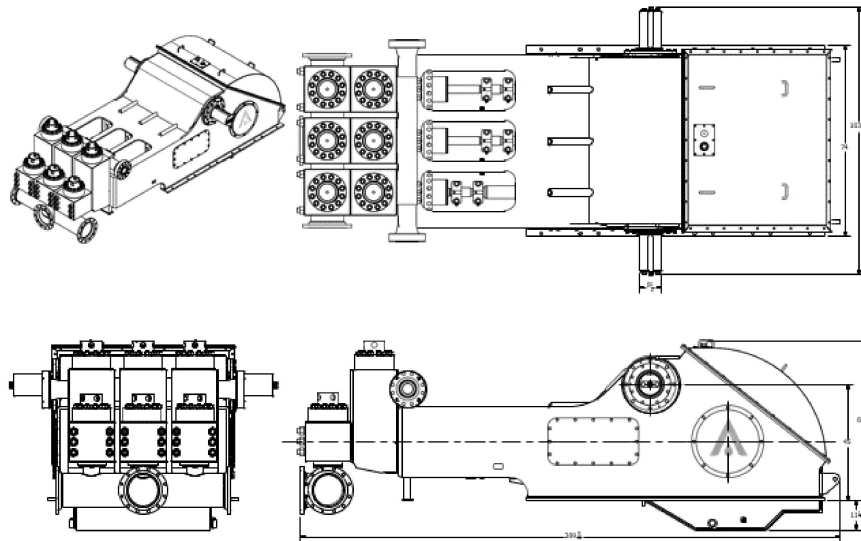
# AMP-2200L (14" Stroke) High Performance Triplex Mud Pump

## TECHNICAL SPECIFICATION DATA



American Mud Pumps® provides **smooth triplex performance** and high efficiency pumps, for general duty rated drilling and workover operations.

The pump's light weight and flexible design make it **easily adaptable** to a variety of rig configurations and drilling requirements and conditions changes throughout.



### Features

- Minimum weight/ maximum performance with continuous duty life expectancy.
- High performance steel fabricated power end with steel herringbone gears.
- Anti-friction roller bearings throughout.
- High strength structural steel frames.
- Forged steel eccentric crankshaft
- Double (redundant) failsafe internal lube system
- Metal to metal liner lock
- High-capacity liner wash system.

### Technical specification data

Input horsepower rating	2200
Pump speed	120
Stroke length	14"
Maximum piston size	8"
Fluid end working pressure rating	7,500 Psi
Piston rod end	SA-4
Discharge connection size	5" Flange
Suction connection size	12" Flange
Crankcase oil capacity	185 Gallons
Liner wash capacity	100 Gallons
Weight	61,250 Lbs
Internal gear ratio	4,843: 1

AMP-2200L High Performance 14" Stroke Triplex		Strokes per min.	120	110	100	90	80	70
		Input HP**	2200	2017	1833	1650	1467	1283
Plunger/Piston Size	Discharge Pressure Rating	Output Gal/Rev	Output - Gallons Per Minute*					
8"	3,266	9,139	1097	1005	914	823	731	640
7-1/2"	3,716	8,033	964	884	803	723	643	562
7"	4,266	6,997	840	770	700	630	560	490
6-1/2"	4,948	6,033	724	664	603	543	483	422
6"	5,807	5,141	617	565	514	463	411	360
5-1/2"	6,911	4,320	518	475	432	389	346	302
5"	7,500*	3,570	428	393	357	321	286	250

\*Based on 100% volumetric efficiency.  
\*\*Based on 95% mechanical efficiency.

Connect with our expert team today!

[CONTACT US >](#)





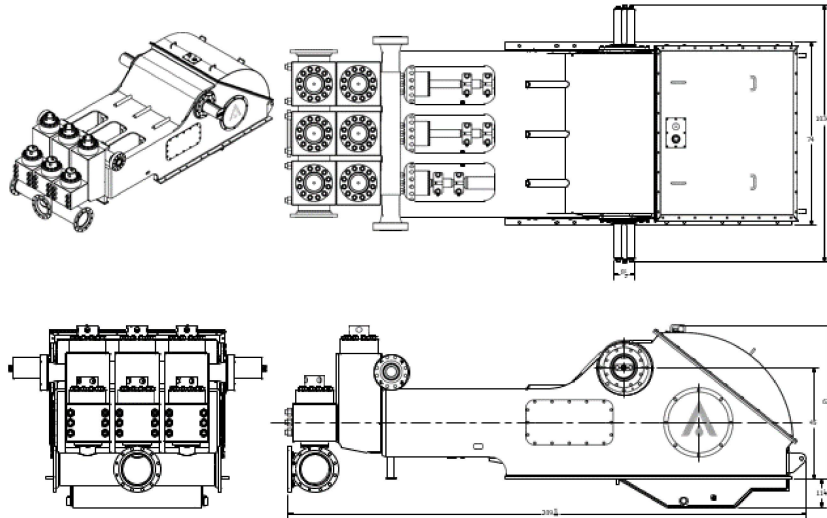
# AMP-2200L (15" Stroke) High Performance Triplex Mud Pump

## TECHNICAL SPECIFICATION DATA



American Mud Pumps® provides **smooth triplex performance** and high efficiency pumps, for general duty rated drilling and workover operations.

The pump's light weight and flexible design make it **easily adaptable** to a variety of rig configurations and drilling requirements and conditions changes throughout.



### Features

- Minimum weight/ maximum performance with continuous duty life expectancy.
- High performance steel fabricated power end with steel herringbone gears.
- Anti-friction roller bearings throughout.
- High strength structural steel frames.
- Forged steel eccentric crankshaft
- Double (redundant) failsafe internal lube system
- Metal to metal liner lock
- High-capacity liner wash system.

### Technical specification data

Input horsepower rating	2200
Pump speed	115
Stroke length	15"
Maximum piston size	8"
Fluid end working pressure rating	7,500 Psi
Piston rod end	SA-4
Discharge connection size	5" Flange
Suction connection size	12" Flange
Crankcase oil capacity	185 Gallons
Liner wash capacity	100 Gallons
Weight	61,250 Lbs
Internal gear ratio	4.843: 1

AMP-2200L High Performance 15" Stroke Triplex		Strokes per min.	115	110	100	90	80	70
		Input HP**	2200	2104	1913	1722	1530	1339
Plunger/Piston Size	Discharge Pressure Rating	Output Gal/Rev	Gallons Per Minute*					
			8"	3,181	9,792	1126	1077	979
7-1/2"	3,619	8,606	990	947	861	775	689	602
7"	4,155	7,497	862	825	750	675	600	525
6-1/2"	4,819	6,464	743	711	646	582	517	452
6"	5,655	5,508	633	606	551	496	441	386
5-1/2"	6,730	4,628	532	509	463	417	370	324
5"	7,500*	3,825	440	421	383	344	306	268

\*Based on 100% volumetric efficiency.  
\*\*Based on 95% mechanical efficiency

Connect with our expert team today!

[CONTACT US >](#)





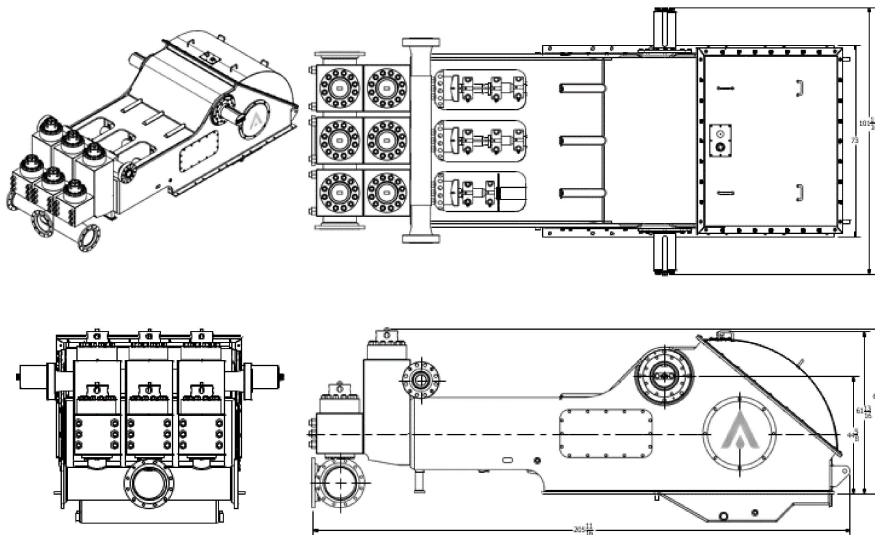
# AMP-1612 (12" Stroke) High Performance Triplex Mud Pump

## TECHNICAL SPECIFICATION DATA



American Mud Pumps® provides **smooth triplex performance** and high efficiency pumps, for general duty rated drilling and workover operations.

The pump's light weight and flexible design make it **easily adaptable** to a variety of rig configurations and drilling requirements and conditions changes throughout.



### Features

- Minimum weight/ maximum performance with continuous duty life expectancy.
- High performance steel fabricated power end with steel herringbone gears.
- Anti-friction roller bearings throughout.
- High strength structural steel frames.
- Forged steel eccentric crankshaft
- Double (redundant) failsafe internal lube system
- Metal to metal liner lock
- High-capacity liner wash system.

Technical specification data	
Input horsepower rating	1600
Pump speed	120
Stroke length	12"
Maximum piston size	7-1/2"
Fluid end working pressure rating	7,500 Psi*
Piston rod end	SA-4
Discharge connection size	5" Flange
Suction connection size	12" Flange
Crankcase oil capacity	165 Gallons
Liner wash capacity	80 Gallons
Weight	56,500 Lbs
Internal gear ratio	4.838: 1

AMP-1612 High Performance 12" Stroke Triplex		Strokes per min.	120	110	100	90	80	60
		Input HP**	1600	1467	1333	1200	1067	800
Plunger/Piston Size	Discharge Pressure Rating	Output Gal/Rev	Output-Gallons Per Minute*					
7-1/2"	3,153	6,885	826	757	689	620	551	413
7"	3,620	5,998	720	660	600	540	480	360
6-1/2"	4,198	5,171	621	569	517	465	414	310
6"	4,927	4,406	529	485	441	297	353	264
5-1/2"	5,684	3,703	444	407	370	333	296	222
5"	7,095	3,060	367	337	306	275	245	184
4-1/2"	7,500*	2,479	297	273	248	223	198	149

\* Based on 100% volumetric efficiency  
 \*\* Based on 95% mechanical efficiency.

Connect with our expert team today!

[CONTACT US >](#)





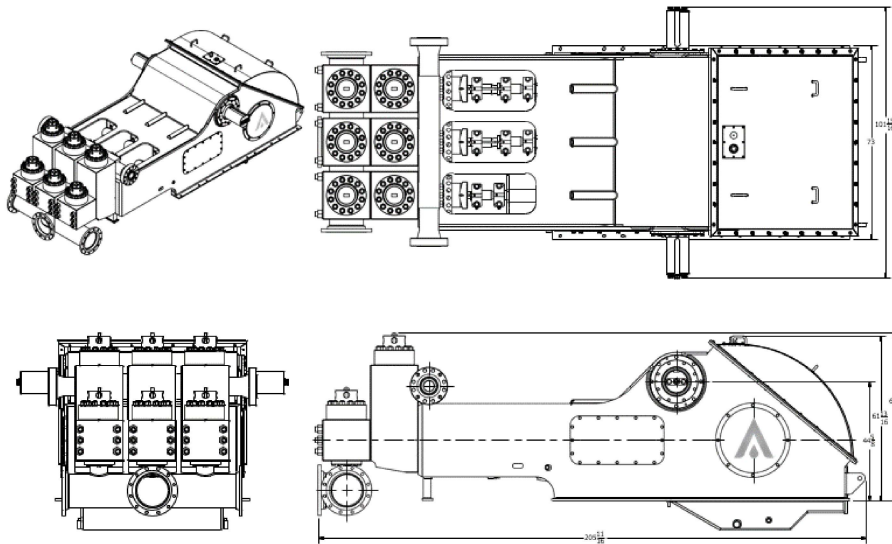
# AMP-1614 (14" Stroke) High Performance Triplex Mud Pump

## TECHNICAL SPECIFICATION DATA



American Mud Pumps® provides **smooth triplex performance** and high efficiency pumps, for general duty rated drilling and workover operations.

The pump's light weight and flexible design make it **easily adaptable** to a variety of rig configurations and drilling requirements and conditions changes throughout.



### Features

- Minimum weight/maximum performance with continuous duty life expectancy.
- High performance steel fabricated power end with steel herringbone gears.
- Anti-friction roller bearings throughout.
- High strength structural steel frames.
- Forged steel eccentric crankshaft
- Double (redundant) failsafe internal lube system
- Metal to metal liner lock
- High-capacity liner wash system.

### Technical specification data

Input horsepower rating	1,600
Pump speed	110
Stroke length	14"
Maximum piston size	7-1/2"
Fluid end working pressure rating	7,500 Psi*
Piston rod end	SA-4
Discharge connection size	5" Flange
Suction connection size	12" Flange
Crankcase oil capacity	165 Gallons
Liner wash capacity	80 Gallons
Weight	56,500 Lbs
Internal gear ratio	4.838:1

AMP-1614 High Performance 14" Stroke Triplex		Strokes per min.	110	100	90	80	70	60
		Input HP**	1600	1455	1309	1164	1018	873
Plunger/Piston Size	Discharge Pressure Rating	Output Gal/Rev	Output-Gallons Per Minute*					
7-1/2"	2,949	8,033	884	803	723	643	562	482
7"	3,385	6,997	770	700	630	560	490	420
6-1/2"	3,926	6,033	664	603	543	483	422	362
6"	4,607	5,141	565	514	463	411	360	308
5-1/2"	5,483	4,320	475	432	389	346	302	259
5"	6,634	3,570	393	357	321	286	250	214
4-1/2"	7,500*	2,892	318	289	260	231	202	174

\* Based on 100% volumetric efficiency  
 \*\* Based on 95% mechanical efficiency.

Connect with our expert team today!

[CONTACT US >](#)





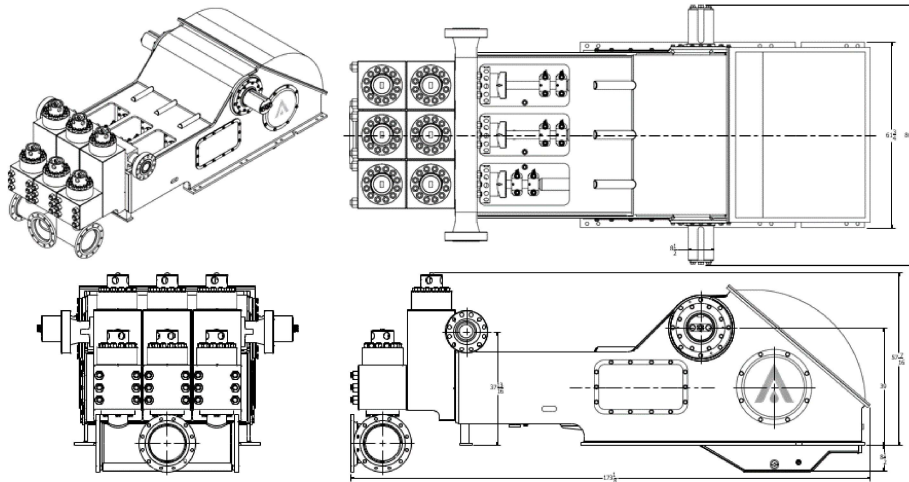
# AMP-1600L (12" Stroke) High Performance Triplex Mud Pump

## TECHNICAL SPECIFICATION DATA



American Mud Pumps® provides **smooth triplex performance** and high efficiency pumps, for general duty rated drilling and workover operations.

The pump's light weight and flexible design make it **easily adaptable** to a variety of rig configurations and drilling requirements and conditions changes throughout.



### Features

- Minimum weight/ maximum performance with continuous duty life expectancy.
- High performance steel fabricated power end with steel herringbone gears.
- Anti-friction roller bearings throughout.
- High strength structural steel frames.
- Forged steel eccentric crankshaft
- Double (redundant) failsafe internal lube system
- Metal to metal liner lock
- High-capacity liner wash system.

### Technical specification data

Input horsepower rating	1,600
Pump speed	140
Stroke length	12"
Maximum piston size	6- <sup>3</sup> / <sub>4</sub> "
Fluid end working pressure rating	7,500 Psi*
Piston rod end	SA-4
Discharge connection size	5" Flange
Suction connection size	12" Flange
Crankcase oil capacity	120 Gallons
Liner wash capacity	85 Gallons
Bare shaft weight (with "sw" style fluid ends)	38,500 Lbs
Piston rod load	113,124 Lbs
Internal gear ratio	4.41: 1

AMP-1600L High Performance 12" Stroke Triplex		Strokes per min.	140	130	120	110	100	80	60
		Input HP**	1600	1486	1371	1257	1143	914	686
Plunger/Piston Size	Discharge Pressure Rating	Output Gal/Rev	Output-Gallons Per Minute*						
			6- <sup>3</sup> / <sub>4</sub> "	3,337	5,577	781	725	669	613
6- <sup>1</sup> / <sub>2</sub> "	3,598	5,171	724	672	621	569	517	414	310
6"	4,223	4,406	617	573	529	485	441	353	264
5- <sup>1</sup> / <sub>2</sub> "	5,026	3,703	518	481	444	407	370	296	222
5"	6,081	3,060	428	398	367	337	306	245	184
4- <sup>1</sup> / <sub>2</sub> "	7,500*	2,479	347	322	297	273	248	198	149

\* Based on 100% volumetric efficiency  
 \*\* Based on 95% mechanical efficiency.

Connect with our expert team today!

[CONTACT US >](#)





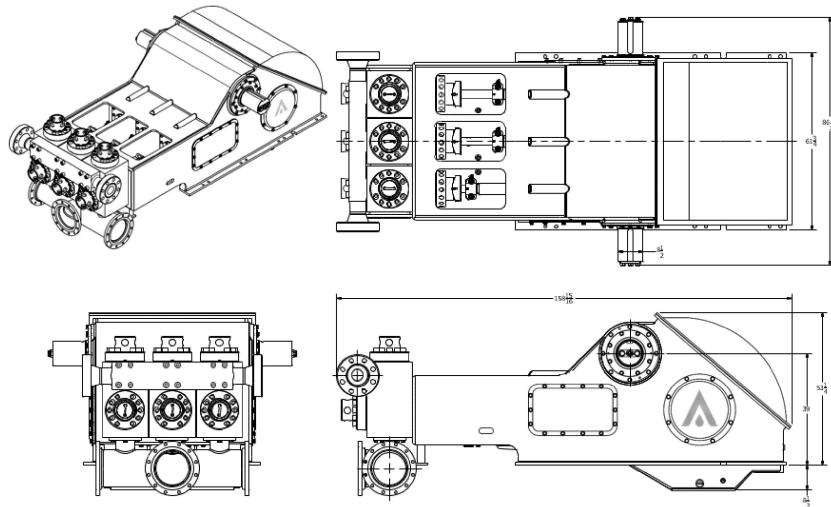
# AMP-1300 (12" Stroke) High Performance Triplex Mud Pump

## TECHNICAL SPECIFICATION DATA



American Mud Pumps® provides **smooth triplex performance** and high efficiency pumps, for general duty rated drilling and workover operations.

The pump's light weight and flexible design make it **easily adaptable** to a variety of rig configurations and drilling requirements and conditions changes throughout.



### Features

- Minimum weight/ maximum performance with continuous duty life expectancy.
- High performance steel fabricated power end with steel herringbone gears.
- Anti-friction roller bearings throughout.
- High strength structural steel frames.
- Forged steel eccentric crankshaft
- Double (redundant) failsafe internal lube system
- Metal to metal liner lock
- High-capacity liner wash system.

### Technical specification data

Input horsepower rating	1,300
Pump speed	140
Stroke length	12"
Maximum piston size	6-3/4"
Fluid end working pressure rating	5,000 Psi*
Piston rod end	SA-4
Discharge connection size	5" Flange
Suction connection size	12" Flange
Crankcase oil capacity	120 Gallons
Liner wash capacity	85 Gallons
Bare shaft weight (with "Sw" style fluid ends)	31,500 Lbs
Piston rod load	91,913 Lbs
Internal gear ratio	4.41:1

AMP-1300 High Performance 12" Stroke Triplex		Strokes per min.	140	130	120	110	100	80	60
		Input HP**	1300	1207	1114	1021	929	743	557
Plunger/Piston Size	Discharge Pressure Rating	Output Gal./Rev	Output-Gallons Per Minute*						
7"	2,521	5,577	840	780	720	660	600	480	360
6-1/2"	2,924	5,171	724	672	621	569	517	414	310
6"	3,431	4,406	617	573	529	485	441	353	264
5-1/2"	4,084	3,703	518	481	444	407	370	296	222
5"	4,941	3,060	428	398	367	337	306	245	184
4-1/2"	5,000*	2,479	347	322	292	273	248	198	149

\* Based on 100% volumetric efficiency

\*\* Based on 95% mechanical efficiency.

Connect with our expert team today!

[CONTACT US >](#)





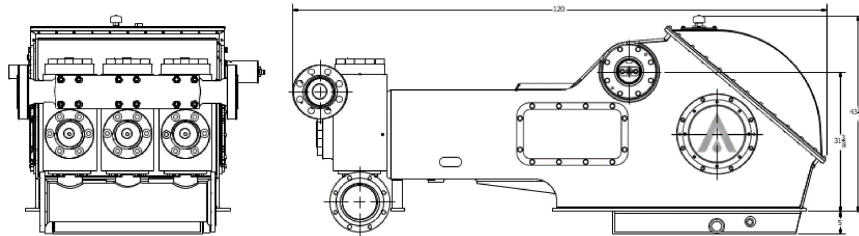
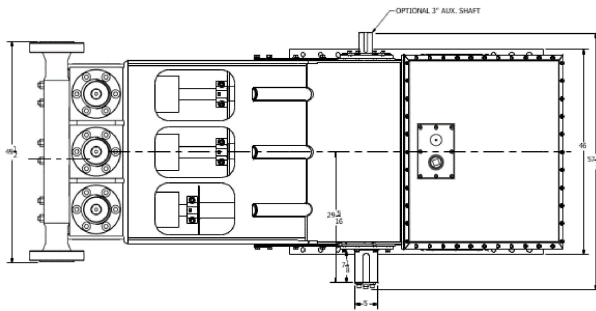
# AMP-800 (8-1/2" Stroke) High Performance Triplex Mud Pump

## TECHNICAL SPECIFICATION DATA



American Mud Pumps® provides **smooth triplex performance** and high efficiency pumps, for general duty rated drilling and workover operations.

The pump's light weight and flexible design make it **easily adaptable** to a variety of rig configurations and drilling requirements and conditions changes throughout.



### Features

- Minimum weight/ maximum performance with continuous duty life expectancy.
- High performance steel fabricated power end with steel herringbone gears.
- Anti-friction roller bearings throughout.
- High strength structural steel frames.
- Forged steel eccentric crankshaft
- Double (redundant) failsafe internal lube system
- Metal to metal liner lock
- High-capacity liner wash system.

### Technical specification data

Input horsepower rating	800
Pump speed	175
Stroke length	8-1/2"
Maximum piston size	7"
Fluid end working pressure rating	5,000 Psi*
Valve size	API 5
Piston rod end	SA-4
Discharge connection size	4" Flange
Suction connection size	8" Flange
Crankcase oil capacity	55 Gallons
Liner wash capacity	60 Gallons
Weight	13,800 Lbs
Internal gear ratio	4.76:1
Optional gear ratio	5.05:1

AMP-800 High Performance 8-1/2" Stroke Triplex		Strokes per min.	175	155	135	115	95	75
		Input HP**	800	709	617	526	434	343
Plunger/Piston Size	Discharge Pressure Rating	Output Gal/Rev	Output-Gallons Per Minute*					
7"	1,752	4,248	743	658	574	489	404	319
6"	2,385	3,121	546	484	421	359	297	234
5"	3,434	2,168	379	336	293	249	206	163
4-1/2"	4,240	1,756	307	272	237	202	167	132
4"	5,000*	1,387	243	215	187	160	132	104

\* Based on 100% volumetric efficiency  
 \*\* Based on 95% mechanical efficiency.

Connect with our expert team today!

[CONTACT US >](#)







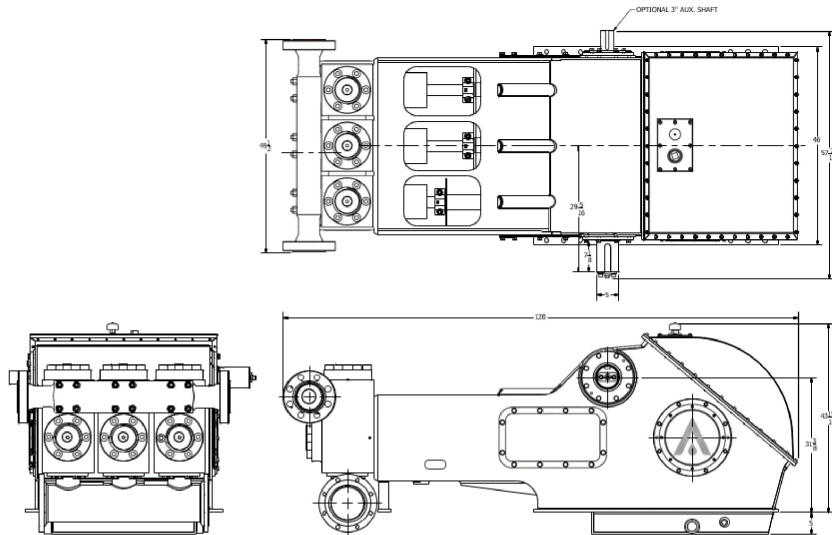
# AMP-550 (7" Stroke) High Performance Triplex Mud Pump

## TECHNICAL SPECIFICATION DATA



American Mud Pumps® provides **smooth triplex performance** and high efficiency pumps, for general duty rated drilling and workover operations.

The pump's light weight and flexible design make it **easily adaptable** to a variety of rig configurations and drilling requirements and conditions changes throughout.



### Features

- Minimum weight/ maximum performance with continuous duty life expectancy.
- High performance steel fabricated power end with steel herringbone gears.
- Anti-friction roller bearings throughout.
- High strength structural steel frames.
- Forged steel eccentric crankshaft
- Double (redundant) failsafe internal lube system
- Metal to metal liner lock
- High-capacity liner wash system.

Technical specification data	
Input horsepower rating	550
Pump speed	150
Stroke length	7"
Maximum piston size	7"
Fluid end working pressure rating	5,000 Psi <sup>1</sup>
Piston rod end	SA-4
Valve size	API 5
Discharge connection size	4" Flange
Suction connection size	8" Flange
Crankcase oil capacity	55 Gallons
Liner wash capacity	60 Gallons
Pump weight complete less skid	13,800 Lbs
Internal gear ratio	5.05:1
Optional gear ratio	4.76:1

AMP-550 High Performance 7" Stroke Triplex		Strokes per min.	150	140	120	100	80	60
		Input HP**	550	513	440	367	293	220
Plunger/Piston Size	Discharge Pressure Rating	Output Gal/Rev	Output-Gallons Per Minute <sup>1</sup>					
7"	1,707	3,499	525	490	420	350	280	210
6"	2,323	2,570	386	360	308	257	206	154
5-1/2"	2,767	2,160	324	302	259	216	173	130
5"	3,345	1,785	268	250	214	179	143	107
4-1/2"	4,129	1,446	217	202	174	145	116	87
4"	5,000 <sup>1</sup>	1,142	171	160	137	114	91	69

<sup>1</sup> Based on 100% volumetric efficiency  
<sup>2</sup> Based on 95% mechanical efficiency.

Connect with our expert team today!

[CONTACT US >](#)





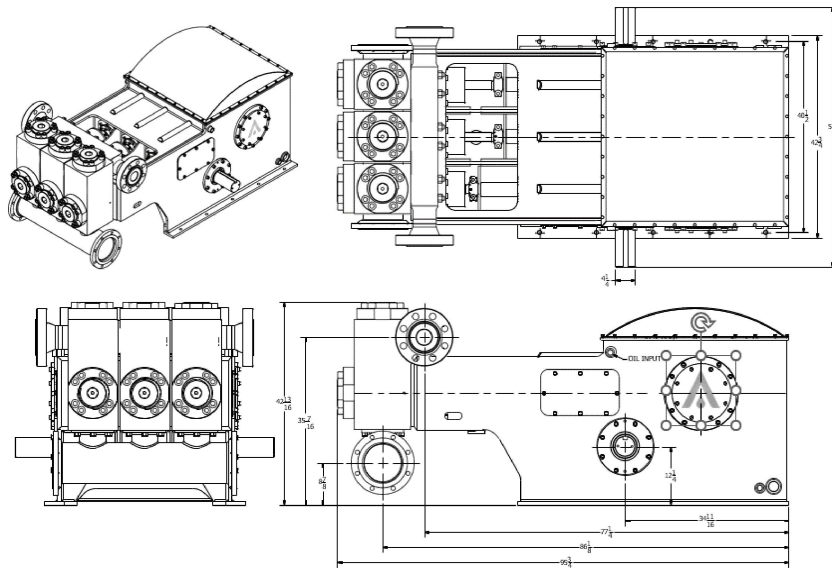
# AMP-500 (7" Stroke) High Performance Triplex Mud Pump

## TECHNICAL SPECIFICATION DATA



American Mud Pumps® provides **smooth triplex performance** and high efficiency pumps, for general duty rated drilling and workover operations.

The pump's light weight and flexible design make it **easily adaptable** to a variety of rig configurations and drilling requirements and conditions changes throughout.



### Features

- Minimum weight/ maximum performance with continuous duty life expectancy
- High performance high strength steel fabricated power end
- High pressure plunger arrangements available upon request
- Optional external reduction ratio in chain or gear
- Anti-friction roller bearings throughout
- **Forged steel eccentric crankshaft**
- Double (redundant) failsafe internal lube system
- Metal to metal liner lock

### Technical specification data

Input horsepower rating	500
Pump speed	240
Stroke length	7"
Maximum piston size	6-3/4"
Fluid end working pressure rating	5,000 Psi*
Piston rod end	SA-4/SA-2
Valve size	API 5
Discharge connection size	4" Flange
Suction connection size	8" Flange
Crankcase oil capacity	40 Gallons
Liner wash capacity	40 Gallons
Weight	9,750 Lbs
Standard gear ratio	5,210:1
Optional gear ratio	4,363:1
Drive shaft diameter,	4-1/4"

AMP-500 High Performance 7" Stroke Triplex		Strokes per min.	240	220	200	170	140	100	70
		Input HP**	500	458	417	354	292	1339	146
Plunger/Piston Size	Discharge Pressure Rating	Output Gal/Rev	Output-Gallons Per Minute***						
6-3/4"	1,043	3,253	781	716	651	553	455	325	228
6-1/2"	1,125	3,017	724	664	603	513	422	302	211
6"	1,320	2,570	617	565	514	437	360	257	180
5-1/2"	1,571	2,160	518	475	432	367	302	216	151
5"	1,900	1,785	428	393	357	303	250	176	125
4-1/2"	2,346	1,446	347	318	289	246	202	145	101
4"	2,969	1,142	274	251	228	194	160	114	80
3-1/2"	3,878	0,875	210	192	175	149	122	87	61
3"	5,000	0,643	154	141	129	109	90	64	45

\* Requires a special wearplate

\*\* Based on 95% mechanical efficiency.

\*\*\*Based on 100% volumetric efficiency

Connect with our expert team today!

[CONTACT US >](#)





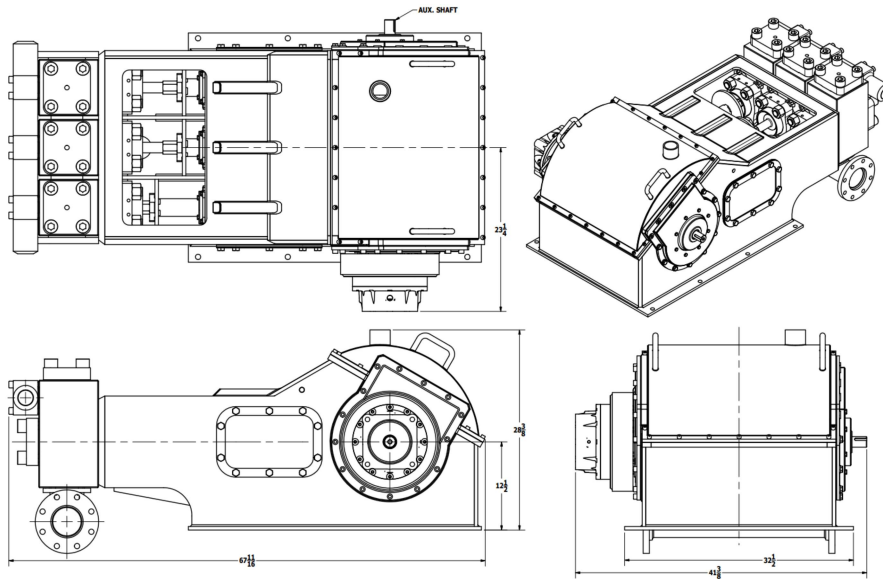
# AMP-300A (5" Stroke) High Performance Triplex Mud Pump

## TECHNICAL SPECIFICATION DATA



American Mud Pumps® provides **smooth triplex performance** and high efficiency pumps, for general duty rated drilling and workover operations.

The pump's light weight and flexible design make it **easily adaptable** to a variety of rig configurations and drilling requirements and conditions changes throughout.



### Features

- Minimum weight/maximum performance with continuous duty life expectancy.
- High performance steel fabricated power end with steel herringbone gears.
- Anti-friction roller bearings throughout.
- High strength structural steel frames.
- Forged steel eccentric crankshaft
- Double (redundant) failsafe internal lube system
- Metal to metal liner lock
- High-capacity liner wash system.

### Technical specification data

Maximum input horsepower at 325 SPM	420
Maximum input horsepower at 235 SPM	300
Stroke length	5"
Maximum piston size	5"
Fluid end working pressure rating	5,000 Psi
Piston rod end	SA-2/SA-4
Valve size	AR10-18
Discharge connection size	3" Union
Suction connection size	4" Flange
Crankcase oil capacity	30 Gallons
Liner wash capacity	25 Gallons
Pump weight less skid	3,500 Lbs
Maximum piston rod load	30,700 Lbs

AMP-300A High Performance 5" Stroke Triplex		Strokes per min.	325	275	225	175	125	75
		Input HP**	420	355	290	225	160	96
Plunger/Piston Size	Discharge Pressure Rating	Output Gal/ Rev	Gallons Per Minute*					
5"	1,650	1,275	414	351	287	223	159	96
4-1/2"	2,038	1,033	336	284	232	181	129	77
4"	2,579	0,816	265	224	184	143	102	61
3-1/2"	3,368	0,625	203	172	141	109	78	47
3"	4,584	0,459	149	126	103	80	57	34
2-3/4"	5,000*	0,386	125	106	87	67	48	29

\*Based on 100% volumetric efficiency.

\*\*Based on 95% mechanical efficiency.

Connect with our expert team today!

[CONTACT US >](#)





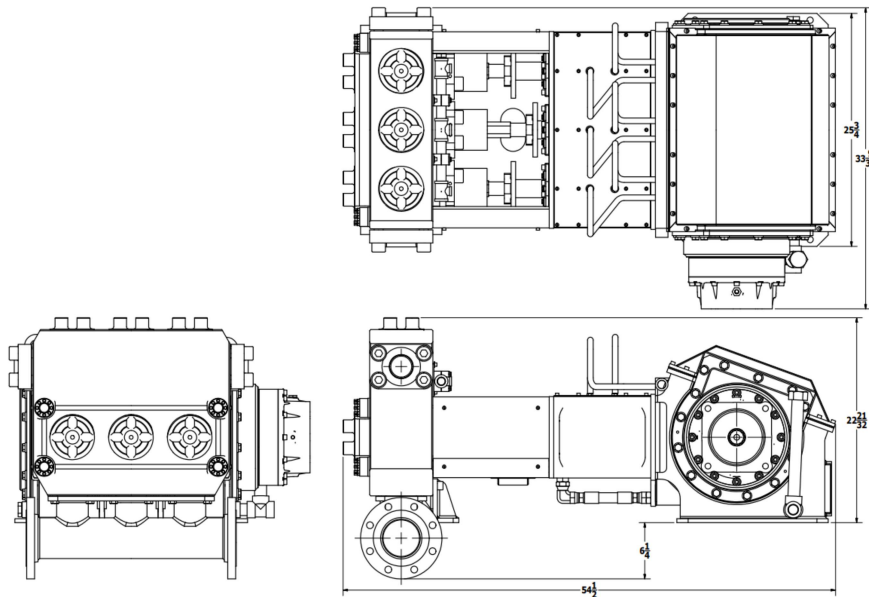
# AMP-150 (4-1/2" Stroke) High performance Triplex Mud Pump

## TECHNICAL SPECIFICATION DATA



American Mud Pumps® provides **smooth triplex performance** and high efficiency pumps, for general duty rated drilling and workover operations.

The pump's light weight and flexible design make it **easily adaptable** to a variety of rig configurations and drilling requirements and conditions changes throughout.



### Features

- Minimum weight/maximum performance with continuous duty life expectancy.
- High performance steel fabricated power end with steel herringbone gears.
- Anti-friction roller bearings throughout.
- High strength structural steel frames.
- Forged steel eccentric crankshaft
- Double (redundant) failsafe internal lube system
- Metal to metal liner lock
- High-capacity liner wash system.

### Technical specification data

Max input horsepower rating	160
Pump speed	350
Stroke length	4-1/2"
Maximum piston/plunger size	4"
Fluid end working pressure rating	2,500 Psi
Max piston rod load	12,067 Lbs.
Mean power end life expectancy	90,000 Hours
Dry pump weight	1,850 Lbs

AMP-150 High Performance 4-1/2" Stroke Triplex		Strokes per min.	350	320	280	240	200	150	80
		Input HP*	160	146	128	110	91	69	37
Plunger/Piston Size	Discharge Pressure Rating	Output Gal/Rev	Gallons Per Minute**						
4"	1,014	0.734	257	235	206	176	147	110	59
3-1/2"	1,324	0.562	197	180	157	135	112	84	45
3"	1,802	0.413	145	132	116	99	83	62	33
2-1/2"	2,595	0.287	100	92	80	69	57	43	23
2" ***	4,054	0.184	64	59	51	44	37	28	15
1-3/4" ****	5,000*	0.141	49	45	39	34	28	21	11

\* Based on 95% mechanical efficiency.  
 \*\* Based on 100% volumetric efficiency.  
 \*\*\* Requires a high pressure fluid end.

Connect with our expert team today!

[CONTACT US >](#)





## — Let's talk!

**Corporate Office:**

3050 Post Oak Blvd. Suite 510 Houston TX. 77056

**Phone:** +1 (713) 979-0534

**Fax :** +1 (713) 979-0533

[customerservice@americanmudpumps.com](mailto:customerservice@americanmudpumps.com)

[www.americanmudpumps.com](http://www.americanmudpumps.com)

