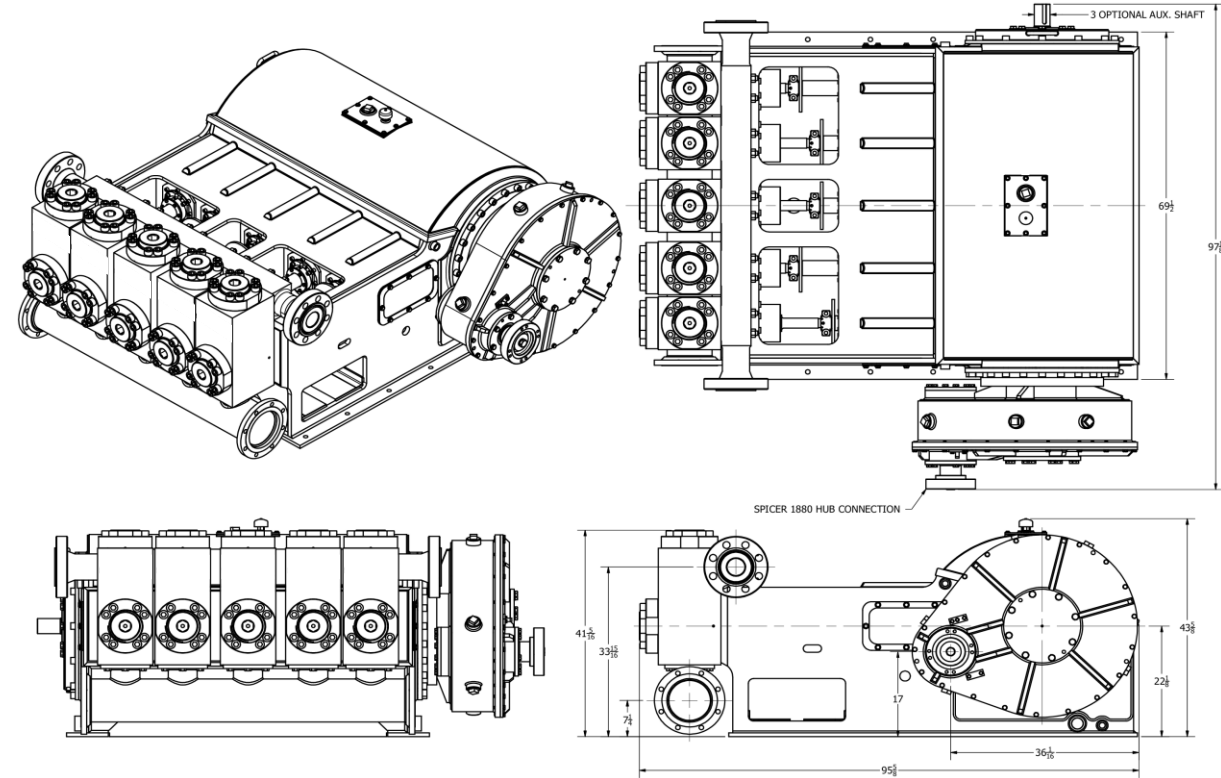


Drilling and Workover QUINTUPLEX AMPQ-800 (86~1,028 GPM)

Technical specification data	
Input horsepower rating	800
Pump speed	240
Stroke length	7.00"
Maximum piston size	6.00"
Fluid end working pressure rating	5,000 Psi
Discharge connection size	4.00" Flange
Suction connection size	8.00" Flange
Crankcase oil capacity	100 Gallons
Linerwash capacity	50 Gallons
External gear ratio (other ratios available)	4.61: 1
Pump weight complete (Less skid)	17,750 Lbs
Overall dimensions (L x W x H)	95.62" X 97.12" X 43.62"



Features

- Minimum weight/maximum performance with continuous duty life expectancy.
- 33% increase in MWD/LWD frequency bandwidth.
- 66% increase in the MWD/LWD data transfer rate.
- Four main bearing design eliminates crankshaft deflection.
- High performance structural steel fabricated power end.
- Anti-friction roller bearings throughout.
- Forged steel eccentric crankshaft.
- Double (redundant) failsafe internal lube system.
- Metal to metal liner lock.

AMPQ-800 High Performance 7.00" Stroke Quintuplex		Strokes Per Min.	80	100	140	170	200	220	240
		Input HP*	267	333	467	567	667	733	800
Piston Size	Discharge Pressure Rating	Output Gal/Rev	Output - Gallons Per Minute**						
6.00"	1,267	4,284	343	428	600	728	857	942	1,028
5.50"	1,508	3,600	288	360	504	612	720	792	864
5.00"	1,824	2,975	238	298	417	506	595	655	714
4.50"	2,252	2,410	193	241	337	410	482	530	578
4.00"	2,851	1,904	152	190	267	324	381	419	457
3.50"	3,723	1,458	117	146	204	248	292	321	350
3.00"	5,000*	1,071	96	107	150	182	214	236	257

* Based on 95% mechanical efficiency, **Based on 100% volumetric efficiency.