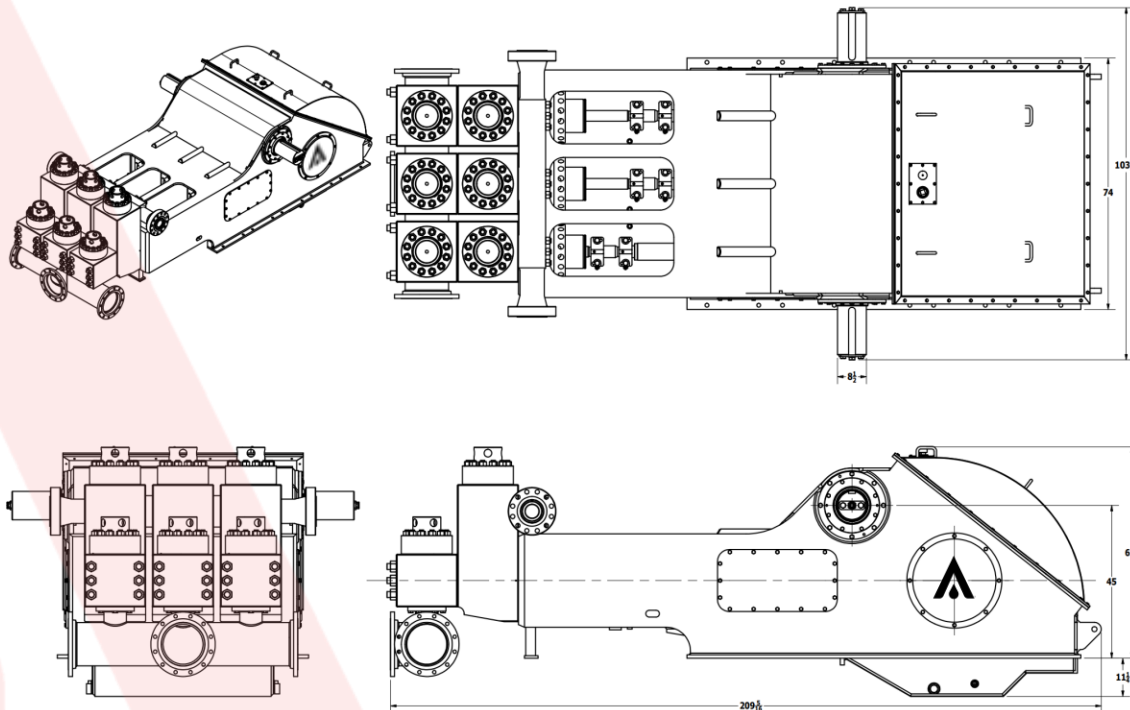




American Mud Pumps® provides **smooth triplex performance** and high efficiency pumps, for continuous duty rated drilling and workover operations.

The pump's light weight and flexible design make it **easily adaptable** to a variety of rig configurations and drilling requirements and conditions changes throughout.



#### Features

- Minimum weight/maximum performance with continuous duty life expectancy.
- High performance high strength steel fabricated power end with steel herringbone gears.
- Anti-friction roller bearings throughout.
- High strength structural steel frames.
- Forged steel eccentric crankshaft.
- Double (redundant) failsafe internal lube system.
- Metal to metal liner lock.
- High capacity liner wash system.

#### Technical specification data

|                                   |                        |
|-----------------------------------|------------------------|
| Input horsepower rating           | 2200                   |
| Pump speed                        | 115                    |
| Stroke length                     | 15.00"                 |
| Maximum piston size               | 7.50"                  |
| Fluid end working pressure rating | 7,500 Psi              |
| Discharge connection size         | 5.00" Flange           |
| Suction connection size           | 12.00" Flange          |
| Crankcase oil capacity            | 185 Gallons            |
| Liner wash capacity               | 100 Gallons            |
| Internal gear ratio               | 4.84: 1                |
| Weight                            | 61,250 Lbs             |
| Overall dimensions (L x W x H)    | 20931" X 10368" X 735" |

| AMP-2200L<br>High Performance<br>15.00" Stroke Triplex |                           | Strokes Per Min. | 70                           | 80   | 90   | 100  | 110  | 115  |
|--|---------------------------|------------------|------------------------------|------|------|------|------|------|
|  |                           | Input HP**       | 1339                         | 1530 | 1722 | 1913 | 2014 | 2200 |
| Piston Size  | Discharge Pressure Rating | Output Gal/ Rev  | Output – Gallons Per Minute* |      |      |      |      |      |
| 8.00"  | 3,181                     | 9,792            | 685                          | 783  | 881  | 979  | 1077 | 1126 |
| 7.50"  | 3,619                     | 8,606            | 602                          | 689  | 775  | 861  | 947  | 990  |
| 7.00"  | 4,155                     | 7,497            | 525                          | 600  | 675  | 750  | 825  | 862  |
| 6.50"  | 4,819                     | 6,464            | 452                          | 517  | 582  | 646  | 711  | 743  |
| 6.00"  | 5,655                     | 5,508            | 386                          | 441  | 496  | 551  | 606  | 633  |
| 5.50"  | 6,730                     | 4,628            | 324                          | 370  | 417  | 463  | 509  | 532  |
| 5.00"  | 7,500*                    | 3,825            | 268                          | 306  | 344  | 383  | 421  | 440  |

\* Based on 95% mechanical efficiency, \*\*Based on 100% volumetric efficiency.



American Mud Pumps Inc

3050 Post Oak Blvd. Suite 510,  
Houston TX. 77056 United States of America

Main: +1 (713) 979-0533

Fax: +1 (713) 979-0534

customerservice@americanmudpumps.com [www.americanmudpumps.com](http://www.americanmudpumps.com)



Connect with our expert team today!

